



Cutters

A-20 VAR

Cutters with large professional features



Technical Information

- Capacity: 20 liters.
- Entirely made with stainless steel.
- Stainless steel cast bowl.
- Solid construction to prevent vibrations.
- Equipped with safety brakes for knives.
- Equipped with 1 motor with variable speed for bowl & knives.
- Equipped with 3 knives (6 knives optional).
- Motor power: 3HP / 2,2Kw.
- Knives speed: 1.000 rpm until 3.000 rpm.(variable).
- Bowl's speed: 12 rpm until 24 rpm. (variable).
- Net Weight: 225kg.

Options

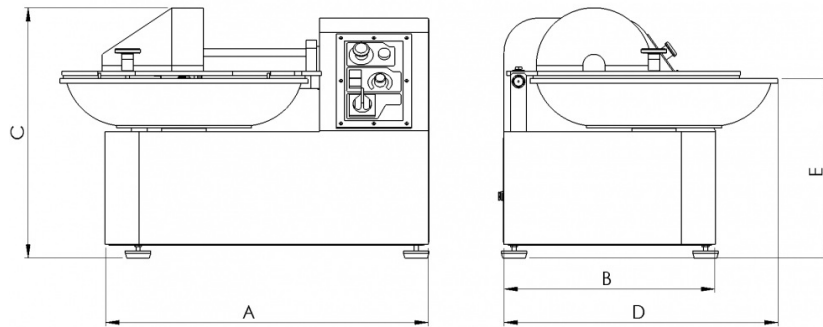
- Extra head with 3 knives.
- Extra head with 6 knives.
- 6 knives installed instead of 3.
- Thermometer.





Measures

A	820 mm.
B	490 mm.
C	590 mm.
D	720 mm.
E	400 mm.



More Views



Knives details



Knives details